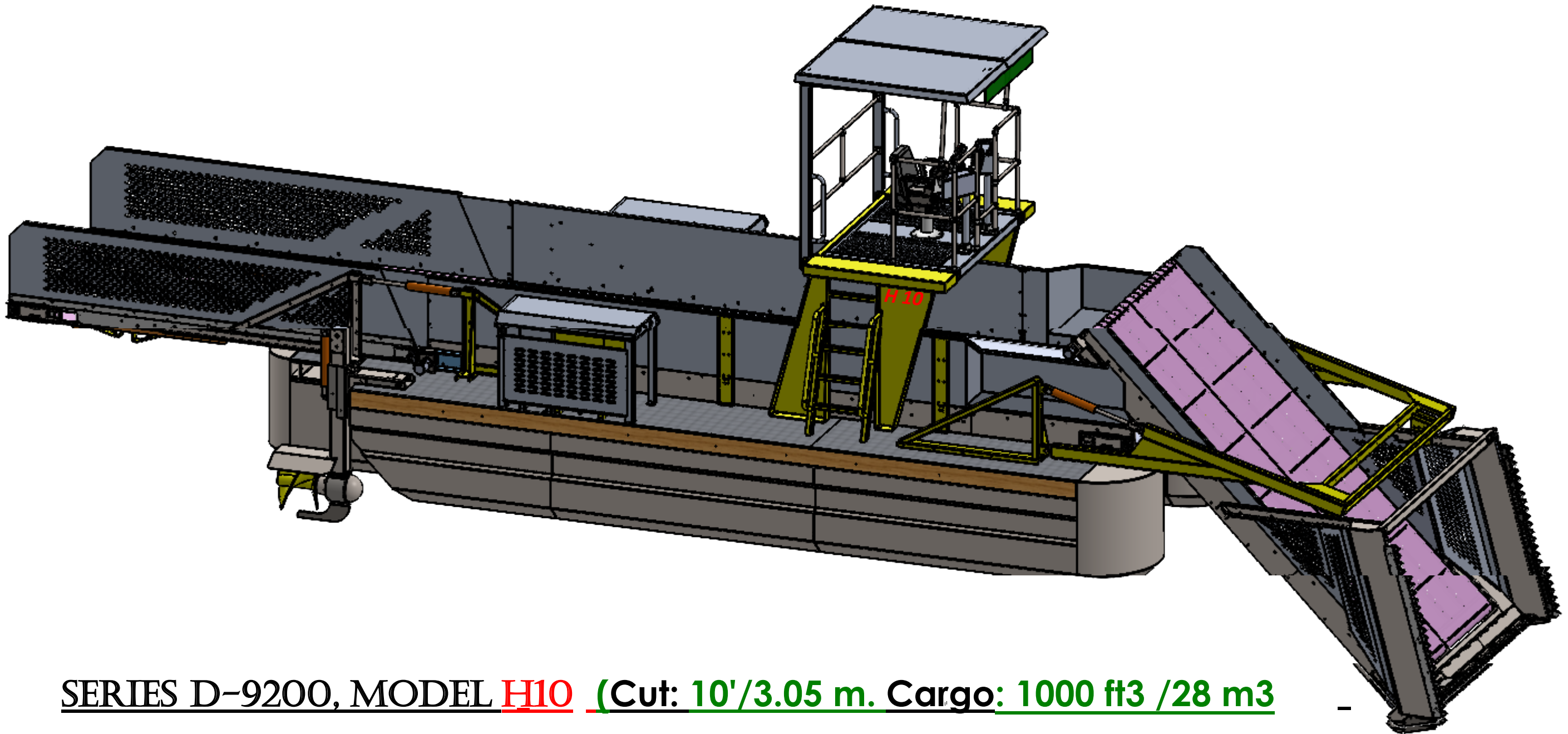
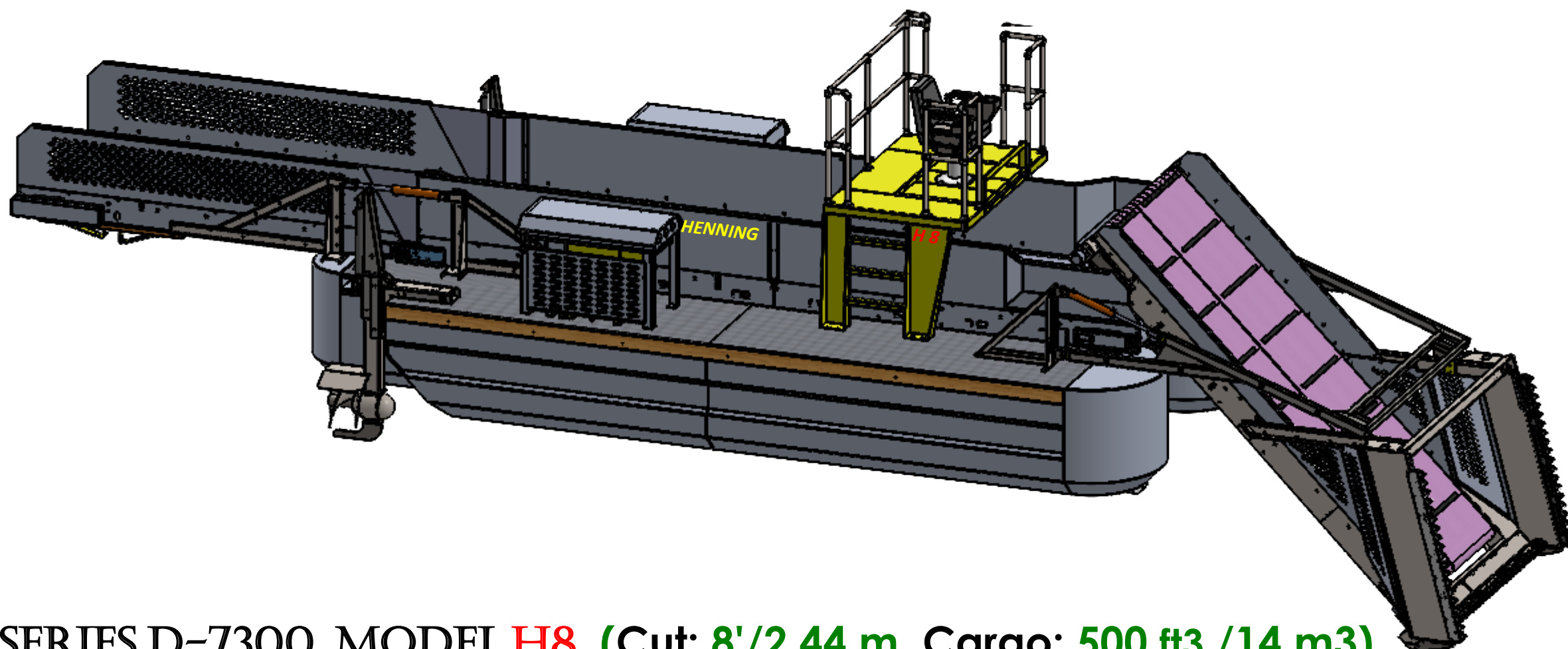


HENNING HARVESTERS WITH WEED CUTTING HEAD



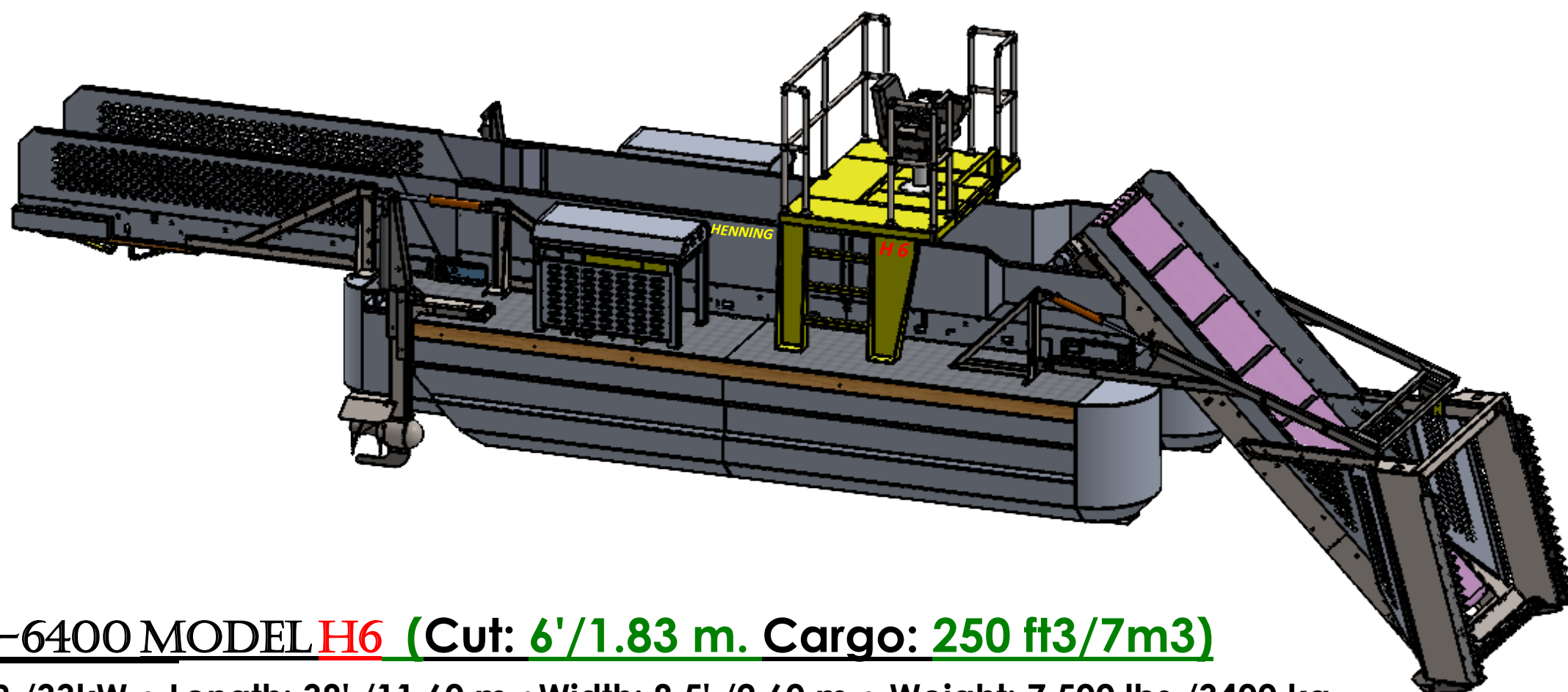
SERIES D-9200, MODEL H10 (Cut: 10'/3.05 m. Cargo: 1000 ft³ /28 m³)

Power: 100 HP /74 kW • Length: 48.5' /14,80 m • Width: 11.92/ 3,64 m • Weight: 18,000 lbs./8200 kg



SERIES D-7300, MODEL H8 (Cut: 8'/2.44 m. Cargo: 500 ft³ /14 m³)

Power: 62 HP /46 kW • Length: 41' /12,50 m • Width: 11' /3,35 m • Weight: 10,000 lbs./4500 kg



SERIES D-6400 MODEL H6 (Cut: 6'/1.83 m. Cargo: 250 ft³ /7m³)

Power: 44HP /33kW • Length: 38' /11.60 m • Width: 8.5' /2.60 m • Weight: 7,500 lbs./3400 kg